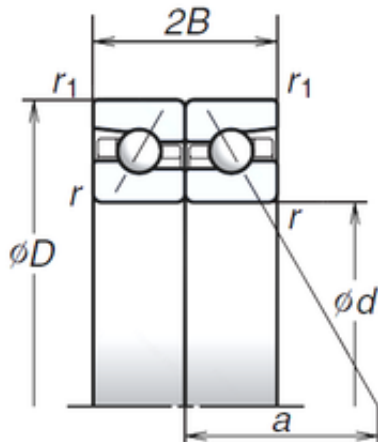




## San Driveshaft Co., Ltd.



### 130 mm x 200 mm x 31,5 mm NSK 130BAR10H Pressed Steel Cages Single-Row Angular Contact Ball Bearings

Bearing No. 130BAR10H

Size	130x200x31.5 mm
Bore Diameter	130 mm
Outer Diameter	200 mm
Width	31,5 mm
d	130 mm
D	200 mm
B	31,5 mm
C	31,5 mm
Angle ( ° )	30 °
a	63,4 mm
r min.	2 mm
r1 min.	1 mm
2B	63 mm
Weight	3,148 Kg
Basic dynamic load rating (C)	72,5 kN
Basic static load rating (C0)	172 kN
(Grease) Lubrication Speed	5 200 r/min
(Oil) Lubrication Speed	6 400 r/min

130BAR10H Bearing 2D drawings and 3D CAD models