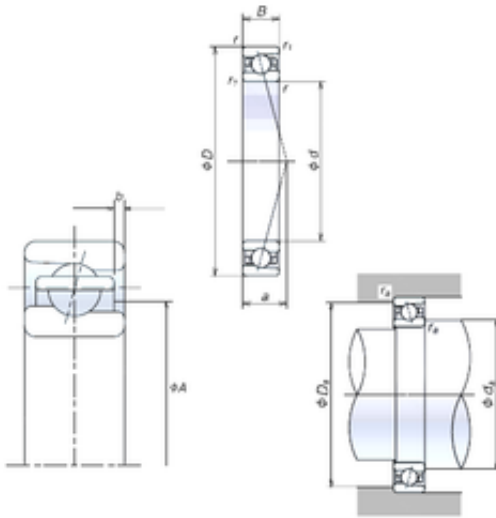




San Driveshaft Co., Ltd.

110 mm x 170 mm x 28 mm NSK 110BER10H Pressed Steel Cages Single-Row Angular Contact Ball Bearings



110BER10H Bearing 2D drawings and 3D CAD models

Bearing No. 110BER10H

Size	110x170x28 mm
Bore Diameter	110 mm
Outer Diameter	170 mm
Width	28 mm
d	110 mm
D	170 mm
B	28 mm
C	28 mm
Angle (°)	25 °
a	46,7 mm
b	1,7 mm
r min.	2 mm
r1 min.	1 mm
A	132,5 mm
da min.	120 mm
Da max.	160 mm
ra max.	2 mm
Weight	1,996 Kg
Basic dynamic load rating (C)	44 kN
Basic static load rating (C0)	45 kN
(Grease) Lubrication Speed	11500 r/min