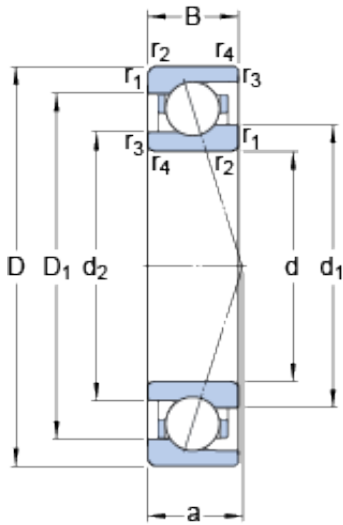




San Driveshaft Co., Ltd.



71917 ACE/HCP4A Bearing 2D drawings and 3D CAD models

85 mm x 120 mm x 18 mm SKF 71917 ACE/HCP4A Matched Angular Contact Ball Bearings

Bearing No. 71917 ACE/HCP4A

Size	120x85x18 mm
Bore Diameter	120 mm
Outer Diameter	85 mm
Width	18 mm
d	85 mm
D	120 mm
B	18 mm
d ₁	96 mm
d ₂	92.9 mm
D ₁	109.22 mm
r _{1,2} - min.	1.1 mm
r _{3,4} - min.	0.6 mm
a	34.1 mm
d _a - min.	91 mm
d _b - min.	88.2 mm
D _a - max.	114 mm
D _b - max.	116.8 mm
r _a - max.	1 mm
r _b - max.	0.6 mm
d _n	98.6 mm
Basic dynamic load rating - C	28.1 kN
Basic static load rating - C ₀	22 kN
Fatigue load limit - P _u	0.9 kN



San Driveshaft Co., Ltd.

Limiting speed for grease lubrication	16500 r/min
Limiting speed for oil lubrication	25000 mm/min
Ball - D_w	11.112 mm
Ball - z	23
G_{ref}	7 cm ³
Calculation factor - e	0.68
Calculation factor - Y_2	0.87
Calculation factor - Y_0	0.38
Calculation factor - X_2	0.41
Calculation factor - Y_1	0.92
Calculation factor - Y_2	1.41
Calculation factor - Y_0	0.76
Calculation factor - X_2	0.67
Preload class A - G_A	255 N
Preload class B - G_B	765 N
Preload class C - G_C	1529 N
Calculation factor - f	1.16
Calculation factor - f_1	0.98
Calculation factor - f_{2A}	1
Calculation factor - f_{2B}	1.04
Calculation factor - f_{2C}	1.08
Calculation factor - f_{HC}	1.01
Preload class A	175 N/micron
Preload class B	263 N/micron
Preload class C	346 N/micron
d_1	96 mm
d_2	92.9 mm
D_1	109.22 mm



San Driveshaft Co., Ltd.

$r_{1,2}$ min.	1.1 mm
$r_{3,4}$ min.	0.6 mm
d_a min.	91 mm
d_b min.	88.2 mm
D_a max.	114 mm
D_b max.	116.8 mm
r_a max.	1 mm
r_b max.	0.6 mm
d_n	98.6 mm
Basic dynamic load rating C	28.1 kN
Basic static load rating C_0	22 kN
Fatigue load limit P_u	0.9 kN
Attainable speed for grease lubrication	16500 r/min
Attainable speed for oil-air lubrication	25000 r/min
Ball diameter D_w	11.112 mm
Number of balls z	23
Reference grease quantity G_{ref}	7 cm ³
Preload class A G_A	255 N
Static axial stiffness, preload class A	175 N/ μ m
Preload class B G_B	765 N
Static axial stiffness, preload class B	263 N/ μ m
Preload class C G_C	1529 N
Static axial stiffness, preload class C	346 N/ μ m
Calculation factor f	1.16
Calculation factor f_1	0.98
Calculation factor f_{2A}	1
Calculation factor f_{2B}	1.04
Calculation factor f_{2C}	1.08



San Driveshaft Co., Ltd.

Calculation factor f_{HC}	1.01
Calculation factor e	0.68
Calculation factor (single, tandem) Y_2	0.87
Calculation factor (single, tandem) Y_0	0.38
Calculation factor (single, tandem) X_2	0.41
Calculation factor (back-to-back, face-to-face) Y_1	0.92
Calculation factor (back-to-back, face-to-face) Y_2	1.41
Calculation factor (back-to-back, face-to-face) Y_0	0.76
Calculation factor (back-to-back, face-to-face) X_2	0.67
Mass bearing	0.42 kg