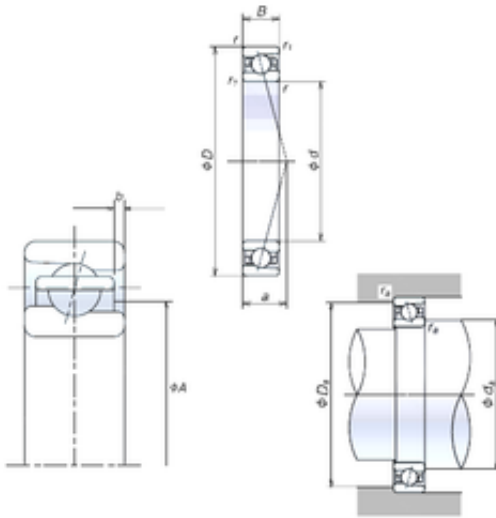




San Driveshaft Co., Ltd.

35 mm x 62 mm x 14 mm NSK 35BNR10X Machined Brass Cages Angular Contact Ball Bearings



35BNR10X Bearing 2D drawings and 3D CAD models

Bearing No. 35BNR10X

Size	35x62x14 mm
Bore Diameter	35 mm
Outer Diameter	62 mm
Width	14 mm
d	35 mm
D	62 mm
B	14 mm
C	14 mm
Angle (°)	18 °
a	14,8 mm
b	1,2 mm
r min.	1 mm
r1 min.	0,6 mm
A	44,5 mm
da min.	41 mm
Da max.	56 mm
ra max.	1 mm
Weight	0,154 Kg
Basic dynamic load rating (C)	10,1 kN
Basic static load rating (C0)	7,1 kN
(Grease) Lubrication Speed	43300 r/min