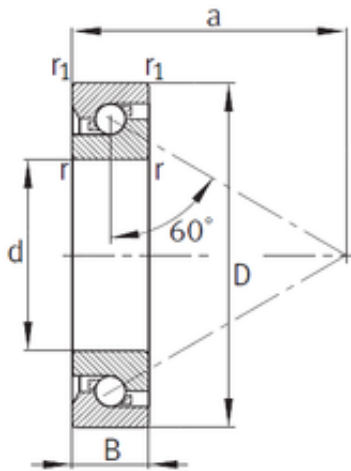




San Driveshaft Co., Ltd.



45 mm x 100 mm x 20 mm FAG BSB045100-T Face-to-face duplex arrangement Bearings

Bearing No. BSB045100-T

Size	45x100x20 mm
Bore Diameter	45 mm
Outer Diameter	100 mm
Width	20 mm
d	45 mm
D	100 mm
B	20 mm
C	20 mm
Angle (°)	60 °
a	75 mm
r min.	1,5 mm
r1 min.	1,5 mm
Da	85,5 mm
da	64,5 mm
Weight	0,81 Kg
Basic dynamic load rating (C)	62 kN
Basic static load rating (C0)	172 kN

BSB045100-T Bearing 2D drawings and 3D CAD models