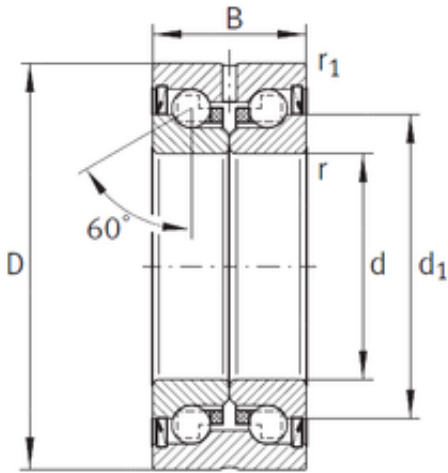




San Driveshaft Co., Ltd.



50 mm x 110 mm x 54 mm INA ZKLN50110-2RS Double Row Cylindrical Roller Bearings

Bearing No. ZKLN50110-2RS

Size	50x110x54 mm
Bore Diameter	50 mm
Outer Diameter	110 mm
Width	54 mm
d	50 mm
D	110 mm
B	54 mm
C	54 mm
Angle (?)	60 °
d1	80 mm
r min.	0,6 mm
r1 min.	0,6 mm
Weight	2,5 Kg
Basic dynamic load rating (C)	113 000 kN
Basic static load rating (C0)	250 000 kN

ZKLN50110-2RS Bearing 2D drawings and 3D CAD models