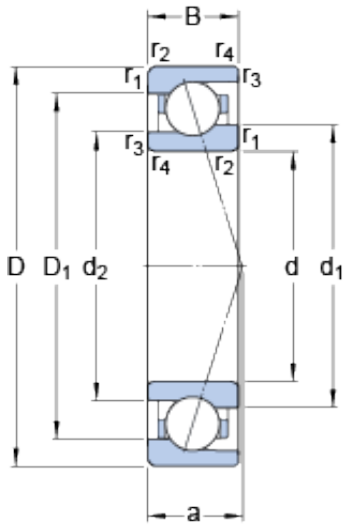




## San Driveshaft Co., Ltd.



71912 CE/HCP4A Bearing 2D drawings and 3D CAD models

### 60 mm x 85 mm x 13 mm SKF 71912 CE/HCP4A High Accuracy Precision Bearings

Bearing No. 71912 CE/HCP4A

Size	85x60x13 mm
Bore Diameter	85 mm
Outer Diameter	60 mm
Width	13 mm
d	60 mm
D	85 mm
B	13 mm
d <sub>1</sub>	67.75 mm
d <sub>2</sub>	65.7 mm
D <sub>1</sub>	77.3 mm
r <sub>1,2</sub> - min.	1 mm
r <sub>3,4</sub> - min.	0.3 mm
a	16.8 mm
d <sub>a</sub> - min.	64.6 mm
d <sub>b</sub> - min.	62 mm
D <sub>a</sub> - max.	80.4 mm
D <sub>b</sub> - max.	83 mm
r <sub>a</sub> - max.	1 mm
r <sub>b</sub> - max.	0.3 mm
d <sub>n</sub>	69.6 mm
Basic dynamic load rating - C	16.3 kN
Basic static load rating - C <sub>0</sub>	11.8 kN
Fatigue load limit - P <sub>u</sub>	0.5 kN
Limiting speed for grease	26000 r/min



## San Driveshaft Co., Ltd.

Lubrication	
Limiting speed for oil lubrication	40000 mm/min
Ball - $D_w$	7.938 mm
Ball - z	23
$G_{ref}$	2.5 cm3
Calculation factor - $f_0$	8.5
Preload class A - $G_A$	87 N
Preload class B - $G_B$	262 N
Preload class C - $G_C$	523 N
Calculation factor - f	1.13
Calculation factor - f	1
Calculation factor - $f_{2A}$	1
Calculation factor - $f_{2B}$	1.05
Calculation factor - $f_{2C}$	1.09
Calculation factor - $f_{HC}$	1.01
Preload class A	52 N/micron
Preload class B	81 N/micron
Preload class C	111 N/micron
Category	Precision Ball Bearings
Inventory	0.0
Manufacturer Name	SKF
Minimum Buy Quantity	N/A
Weight / Kilogram	0
Product Group	B04270
Enclosure	Open
Precision Class	ABEC 7   ISO P4
Material - Ball	Ceramic
Number of Bearings	1 (Single)
Contact Angle	15 Degree
Preload	None



## San Driveshaft Co., Ltd.

Raceway Style	1 Rib Inner Ring and Outer Ring
Cage Material	Phenolic
Rolling Element	Ball Bearing
Flush Ground	No
Inch - Metric	Metric
Other Features	Single Row   Angular Contact   High Speed E Design
Long Description	60MM Bore; 85MM Outside Diameter; 13MM Width; Open Enclosure; ABEC 7   ISO P4 Precision; Ceramic Ball Material; 1 (Single) Bearing; 15 Degree Contact Angle; Phenolic Cage Material; 1 Rib Inner Ring an
Category	Precision Ball Bearings
UNSPSC	31171531
Harmonized Tariff Code	8482.10.50.28
Noun	Bearing
Keyword String	Ball Angular Contact
Manufacturer URL	<a href="http://www.skf.com">http://www.skf.com</a>
Outside Diameter	3.346 Inch   85 Millimeter
Width	0.512 Inch   13 Millimeter
Bore	2.362 Inch   60 Millimeter
$d_1$	67.75 mm
$d_2$	65.7 mm
$D_1$	77.3 mm
$r_{1,2}$ min.	1 mm
$r_{3,4}$ min.	0.3 mm
$d_a$ min.	64.6 mm
$d_b$ min.	62 mm
$D_a$ max.	80.4 mm
$D_b$ max.	83 mm



## San Driveshaft Co., Ltd.

$r_a$ max.	1 mm
$r_b$ max.	0.3 mm
$d_n$	69.6 mm
Basic dynamic load rating C	16.3 kN
Basic static load rating $C_0$	11.8 kN
Fatigue load limit $P_u$	0.5 kN
Attainable speed for grease lubrication	26000 r/min
Attainable speed for oil-air lubrication	40000 r/min
Ball diameter $D_w$	7.938 mm
Number of balls z	23
Reference grease quantity $G_{ref}$	2.5 cm <sup>3</sup>
Preload class A $G_A$	87 N
Static axial stiffness, preload class A	52 N/ $\mu$ m
Preload class B $G_B$	262 N
Static axial stiffness, preload class B	81 N/ $\mu$ m
Preload class C $G_C$	523 N
Static axial stiffness, preload class C	111 N/ $\mu$ m
Calculation factor f	1.13
Calculation factor $f_1$	1
Calculation factor $f_{2A}$	1
Calculation factor $f_{2B}$	1.05
Calculation factor $f_{2C}$	1.09
Calculation factor $f_{HC}$	1.01
Calculation factor $f_0$	8.5
Mass bearing	0.16 kg